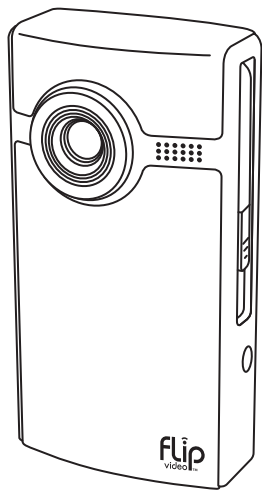


shoot anything.  
share everything.™



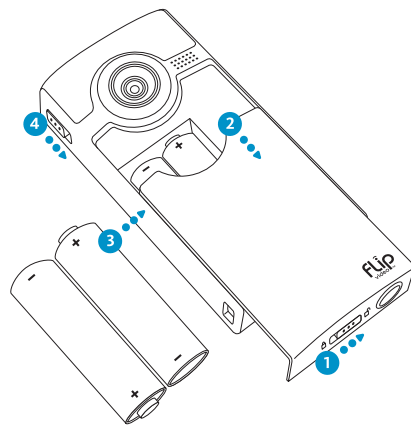
flip  
video™

QUICKSTART GUIDE

## Get Started

### Turning Power On

- 1 Slide battery latch to unlock.
- 2 Slide front panel down.
- 3 Insert batteries.
- 4 Slide power switch.



Note: The first time you start the camcorder set the time and date using up, down, left, and right keys.

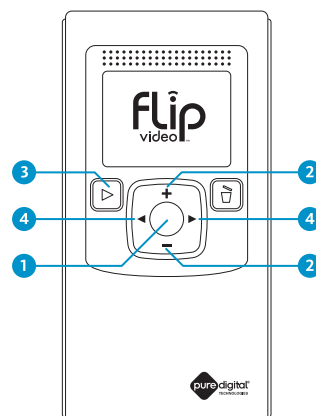
## Record and Play

### Recording Videos

- 1 Press record button to start/stop. ●
- 2 Press up/down keys to zoom in/out. + -

### Playing Videos

- 3 Press play button to start/stop. ▶
- 4 Press left/right keys to view previous/next. ◀ ▶



## Included In This Box

- Flip Video Camcorder
- Two AA Batteries
- TV Connection Cable
- Wrist Strap
- Pouch
- Warranty/Safety Information
- Quickstart Guide

## Customer Support

### Online

Go to [www.theflip.com/support](http://www.theflip.com/support)

### Email

Send email to [inquiry@puredigitalinc.com](mailto:inquiry@puredigitalinc.com)

### Registration

Register online at [www.theflip.com/register](http://www.theflip.com/register)

## Declaration of Conformity

We, Pure Digital Technologies, Inc.

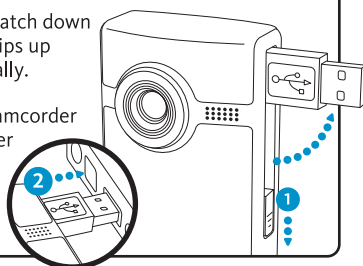
30 Maiden Lane  
6th Floor  
San Francisco  
California 94108



Declare under our sole responsibility that the product video camcorder models 225, PSV-351, PSV-352, PSV-451, PSV-452, PSV-551, PSV-552 complies with part 15 of the FCC rules. Operation is subject to the following two conditions: (1) this device may not cause harmful interference, and (2) this device must accept any interference received, including interference that may cause undesired operation.

## Connect to Computer

- 1 Slide USB latch down  
USB arm flips up  
automatically.
- 2 Connect camcorder  
to computer  
and start  
Flip Video  
software.



Note: Flip Video program runs directly from the camcorder. Camcorder must be connected while using the software. Battery power is not used while camcorder is connected.

## Software Features

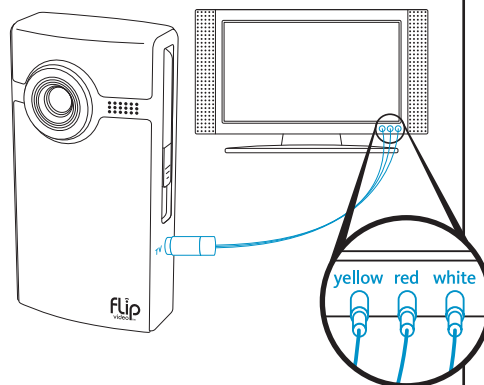
- Browse, play, and delete your videos.
- Save your videos to your computer.
- Make custom movies with music.
- Capture photos from your video.
- Share your videos online or by email.
- Upload your videos to AOL or YouTube.

Note: Click "Help" inside the Flip Video software for detailed information on all features.



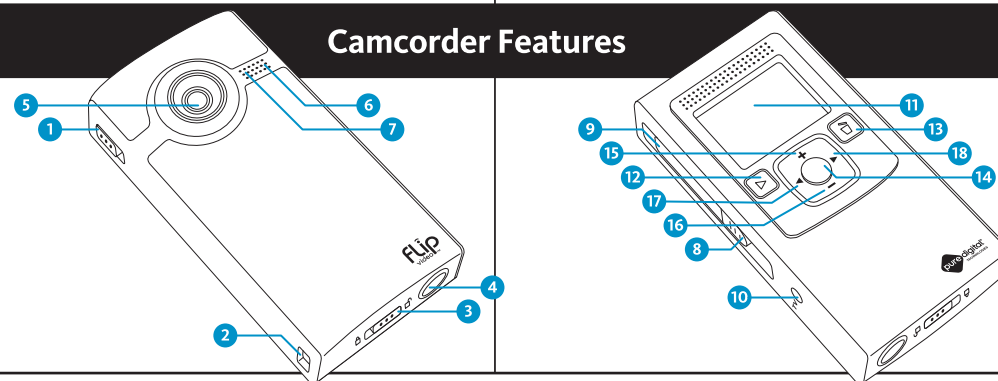
## View On Television

- 1 Power off camcorder and television.
- 2 Connect camcorder to television  
with included connection cable.



- 3 Power on camcorder and television.
  - Camcorder screen turns off when connected to television.
- 4 Switch television to VIDEO input.
  - See television manual for instructions.
- 5 Press play to start/stop playback. ▶

## Camcorder Features



1	Power Switch	Slide down and release to turn on/off.
2	Wrist Strap Hook	Attach wrist strap, included.
3	Battery Latch	Slide to lock/unlock. For maximum battery performance, use Energizer® e2® Lithium® AA batteries.
4	Tripod Mount	Attach a tripod or other Flip Video accessory. Learn more at <a href="http://www.theflip.com/accessories">www.theflip.com/accessories</a> .
5	Lens	Wipe clean with a soft, dry cloth.
6	Microphone	Effective within 12 feet, indoors.
7	Recording Indicator	Light turns on during recording.
8	USB Latch	Slide to release USB arm.
9	USB Arm	If space does not permit proper connection, use a USB "A"-type extension cable.
10	TV Output Port	Connect TV cable, included.
11	Screen	Recording viewfinder/playback screen.
12	Play Button	▶ Press to play. Press and hold to play all.
13	Delete Button	⏏ Press to delete. Press and hold to delete all.
14	Record Button	● Press and release to start/stop recording.
15	Up Key	+ While Recording: Press to zoom in. During Playback: Press to make volume louder. During Power On: Hold to adjust time and date.
16	Down Key	- While Recording: Press to zoom out. During Playback: Press to make volume quieter.
17	Left Key	◀ Skip to previous video during playback.
18	Right Key	▶ Skip to next video during playback.